

# TECHNICAL DATA

## OPERATING WEIGHT WITHOUT ATTACHMENTS

MHL360 F	95,901–107,585 lbs
----------	--------------------

## DIESEL ENGINE

<b>Manufacturer and model</b>	Deutz TCD 7.8 L6 4V
<b>Design</b>	6-cylinder in-line engine
<b>Functionality</b>	4-stroke engine, direct common-rail fuel injection, turbo-charger with charge air intercooling, controlled exhaust gas recirculation, diesel particle filter with a continuously regenerating system and SCR catalytic converter
<b>Engine power</b>	255 hp (190 kW)
<b>Rated speed</b>	2,000 rpm
<b>Displacement</b>	7.8 l / 476 cui
<b>Cooling system</b>	Water and charge air cooling with temperature controlled fan speed
<b>Exhaust emission standard</b>	EU-Stage V / EPA-Tier 4f
<b>Fuel tank</b>	153.2 gal diesel
<b>DEF / Urea tank</b>	13.2 gal Ad Blue

## ELECTRIC MOTOR

<b>Power</b>	160 kW
<b>Total connected load</b>	210 kW
<b>Motor start</b>	Via soft start
<b>Optional cable reel</b>	Up to 164 ft (other lengths on request)

## ELECTRICAL SYSTEM

<b>Alternator</b>	28 V / 100 A
<b>Operating voltage</b>	24 V
<b>Battery</b>	2 × 12 V / 110 Ah / 750 A (as per EN)
<b>Lighting System</b>	2 × LED floodlights at the front of the machine, rear lights and indicator lights
<b>Optional</b>	20 kW or 30 kW DC generator with control and insulation monitoring

## TRAVEL DRIVE

Hydrostatic drive through infinitely variable axial piston motor with directly mounted travel brake valves, 2-gear transmission, all-wheel drive

<b>Travel speed 1st Gear</b>	max. 3 mph
<b>Travel speed 2nd Gear</b>	max. 9 mph
<b>Gradeability</b>	max. 30 %
<b>Turning radius</b>	31'2"

## SLEWING DRIVE

<b>Slewing ring</b>	Double slewing ring with inner teeth
<b>Drive</b>	2-stage planetary gear with integrated multi-disk brake
<b>Uppercarriage swing speed</b>	0–6 rpm infinitely variable
<b>Slewing lock</b>	Electronically activated

## UNDERCARRIAGE

<b>Front axle</b>	Planetary drive axle with integrated drum brake, rigid bearing, max. steering angle 27°
<b>Rear axle</b>	Planetary drive axles with integrated drum brake, with self aligning bearing and switching oscillating lock
<b>Outrigger</b>	4-point outrigger
<b>Tires</b>	Solid rubber elastic 8 × 12.00–24

## BRAKES

<b>Service brake</b>	A hydraulically activated single-circuit brake system that works on all four pairs of wheels
<b>Parking brake</b>	An electronically activated disc brake on the drive transmission that works on both axles

## HYDRAULIC SYSTEM

<b>Max. flow rate</b>	2 × 74 gal/min & 1 × 37 gal/min (for slewing)
<b>Max. operating pressure</b>	4641 / 5221 psi
<b>Hydraulic oil tank</b>	137.4 gal

## OPERATOR'S CAB

<b>Cab</b>	Vertically adjustable through infinitely variable hydraulic control up to a viewing height of 19' (option: vertically and horizontally adjustable to a max. viewing height of 20') Soundproof, insulating panoramic windows enabling all-round visibility, windscreen with pull-down sunblind, roof skylight, cab door sliding window, sliding door
<b>Air conditioning</b>	Automatic climate control. Infinitely variable water heating with 8-speed fans, 10 adjustable nozzles, 4 set into the roof lining and 3 defrosting nozzles
<b>Operator's seat</b>	Air-sprung comfort seat with integrated headrest, safety belt and lumbar support, optional seat heating. Allows for comfortable working by offering universal adjustment possibilities of the seat position, the seat incline, and the position of the seat cushion in relation to the armrests and pilot controls
<b>Monitoring</b>	Ergonomically-arranged, anti-glare controls, multi-functional display, automatic monitoring and storage of deviating operating conditions, (e.g. all hydraulic oil filters, hot/cold hydraulic oil temperature, coolant temperature and charge air temperature, diesel particle filter load), visual and acoustic warning up to the point of shutting feed forward control or reducing engine output. Individual sensor diagnosis using the multi-functional display, rear camera and side camera
<b>Noise level</b>	Sound power level (outdoor area) L <sub>WA</sub> 101.5 dB(A) (measured) as per directive 2000/14/EC L <sub>WA</sub> 104 dB(A) (guaranteed) as per directive 2000/14/EC Sound power level (inside the cab) as per the standard ISO 6396 L <sub>PA</sub> 74 dB(A)

Certification as per CE directives

# EQUIPMENT

## ENGINE

	Standard	Option
Intercooler and coolant radiator	●	
Direct electronic fuel injection / common rail	●	
Advanced automatic idle incl. engine shut-off function	●	
Engine preheating		●
Engine diagnostics interface	●	
Temperature-dependent fan drive	●	

## UNDERCARRIAGE

All-wheel drive	●	
Drum brakes	●	
Rear axle oscillating lock	●	
2-speed powershift transmission		●
4-point stabilizers	●	
Dozer blade in addition to 4-point stabilizers		●
Stabilizer cylinders with integrated two-way check valves	●	
Piston rod protection on stabilizer cylinders	●	
Tool box	●	
Special paint (customer paint work)		●
Solid rubber tires 12.00-24 with intermediate rings	●	

## UPPERCARRIAGE

Separate cooling system for engine and hydraulic oil cooler	●	
Cooling system with temperature-dependent fan drive	●	
Fan drive reversing function		●
Automatic central lubrication system	●	
Rear view camera	●	
Side view camera	●	
Driving warning device		●
Electric refuelling pump		●
Lighting protection		●
Special paint (customer paint work)		●

## CAB

Hydraulically adjustable cab	●	
Cab system which can be elevated and moved forward		●
Safety glass	●	
Sliding window in cab door	●	
Reinforced glass P5A (windscreen and roof panel)		●
Reinforced glass P5A (windscreen and roof panel) (FQC)	●	

## CAB

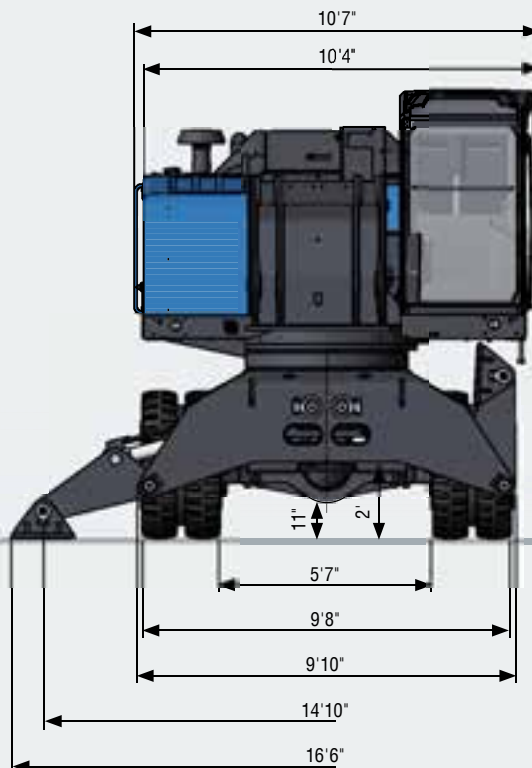
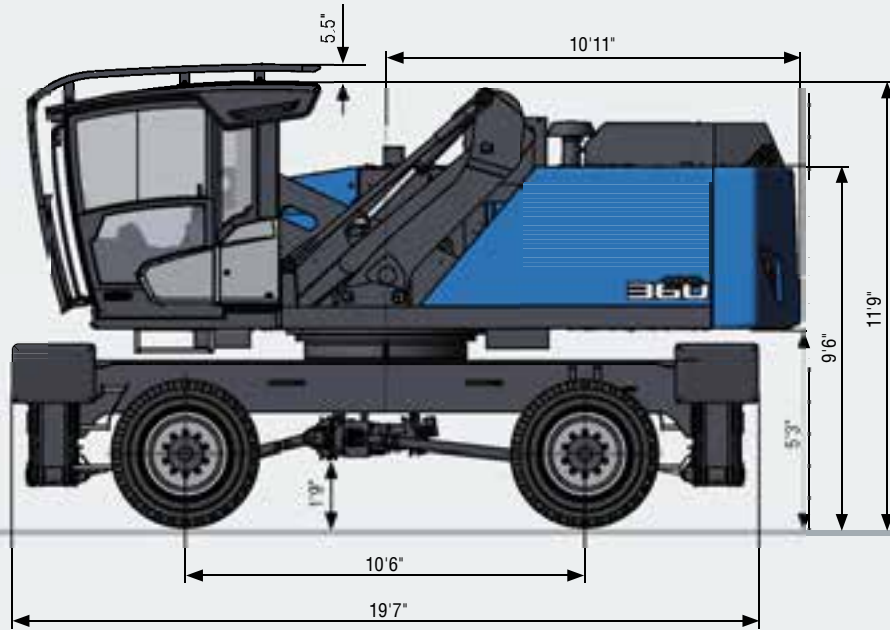
	Standard	Option
Windshield washer system	●	
Roof washer system		●
Air-cushioned operator seat with headrest, seatbelt, and lumbar support	●	
Seat heating		●
Joystick steering	●	
Steering column, height and tilt adjustable		●
Automatic air conditioning system	●	
Independent heating system		●
Multi-function display	●	
Document net	●	
FOPS Guard		●
Front and FOPS Guard		●
12V transformer		●
Radio USB & Bluetooth	●	
12V socket		●
Fire extinguisher, dry powder		●
Travel alarm w/ rotating beacon		●

## OTHER EQUIPMENT

20 kW DC generator with controls		●
30 kW DC generator with controls		●
Close proximity range limiter for dipper stick	●	
Coolant and hydraulic oil level monitoring system	●	
Filter system for attachments		●
Filter system for attachments (FQC)	●	
Hose rupture valves for boom cylinder with integrated regeneration function	●	
Hose rupture valves for stick cylinder with integrated regeneration function	●	
Overload warning device		●
Quick coupling on dipper stick	●	
Dipper stick impact protection		●
Active cyclone prefilter (TOP AIR)		●
Hydraulic oil preheating		●
Lubrication of the grab suspension by central lubrication system	●	
Light packages LED		●
LED front headlights	●	
LED working lights cabin roof front		●
Boom cylinder damping system (piston accumulator)		●
Fuchs Telematics System, incl. 2 years contract	●	

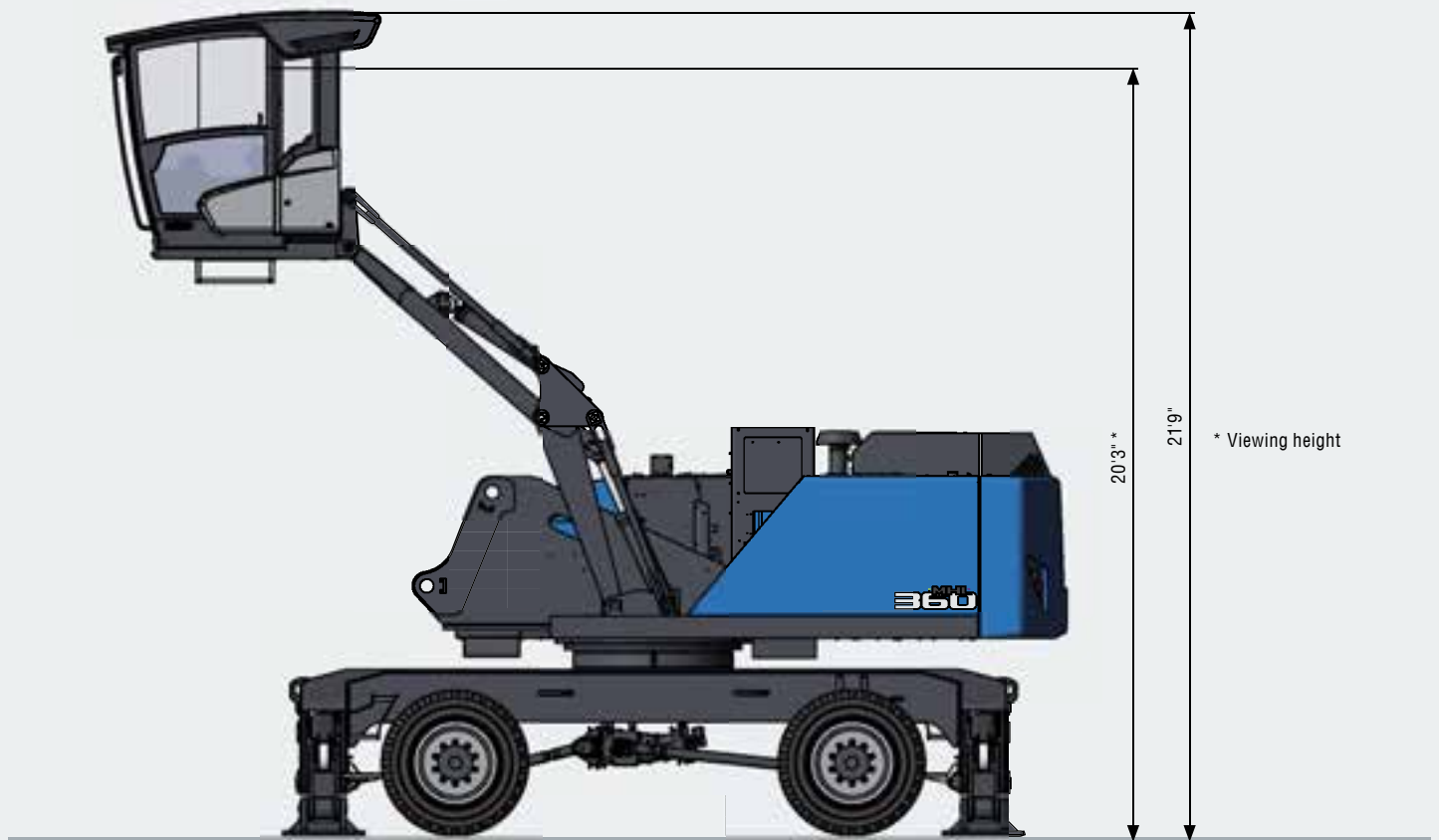
# DIMENSIONS

All dimensions in ft and inch



# DIMENSIONS

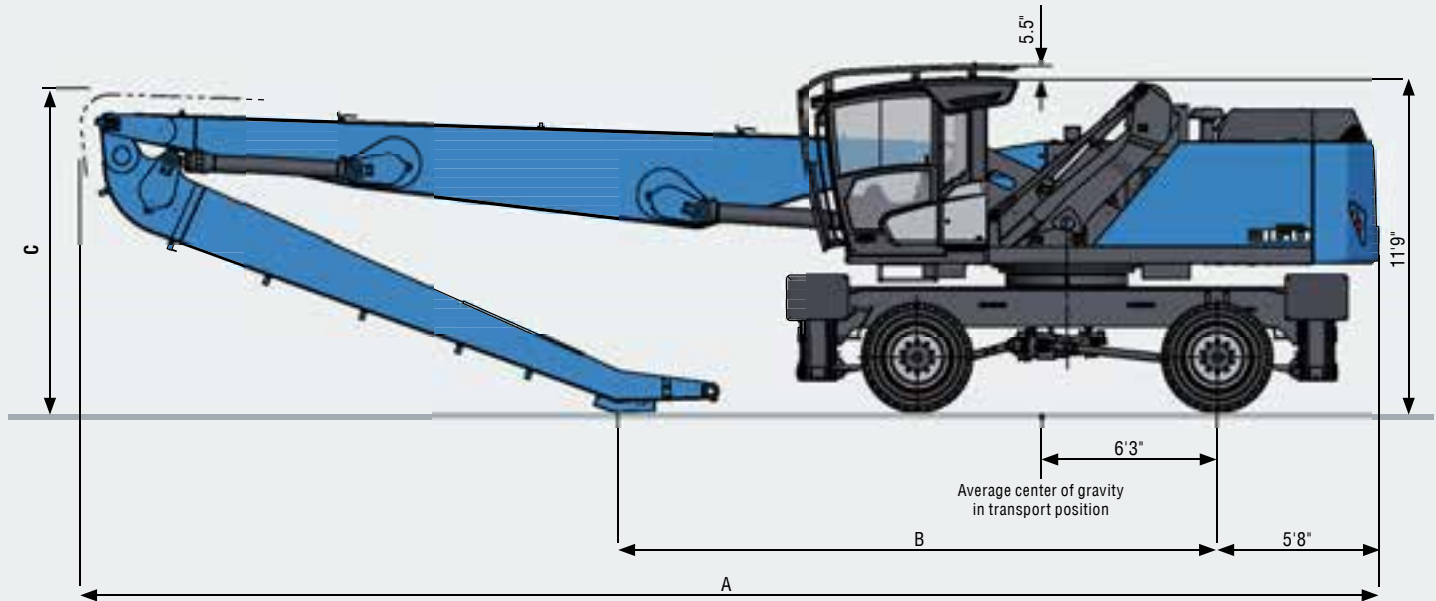
All dimensions in ft and inch



# TRANSPORT DIMENSIONS

With dipper stick

All dimensions in ft and inch



	54'2"	59'
A	45'5"	48'
B	20'11"	21'
C	11'2"	12'

# TRANSPORT DIMENSIONS

Reach 59' with banana boom  
All dimensions in ft and inch

