

TECHNICAL DATA

ATTACHMENTS



FUCHS
A TEREX BRAND

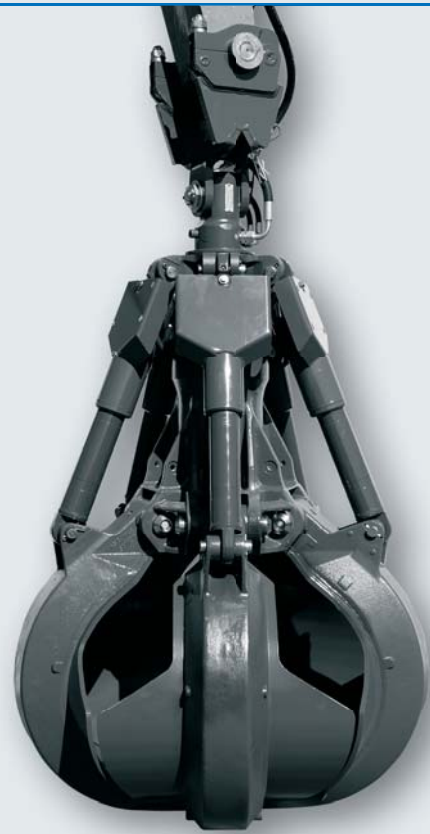
MULTI-TINE GRAPPLE

TMG (HALF-CLOSED)

Fuchs 5-tine grapple with a capacity of 0.4 to 0.8 m³ for machines with an operating weight of 16 t to 50 t.

The Fuchs multi-tine grapple was developed specifically for scrap handling. Its sturdy design guarantees effective, continuous deployment. The multi-tine grapple's superior performance is a result of sophisticated kinematics offering a high closing force range and a force flow congruent design. The high-quality materials used ensure durability.

- The grapple rotator is incorporated in the upper part of the grapple, where it is afforded optimal protection
- A high degree of serviceability
- The cylinders' piston rods and the hydraulic lines are protected from external damage and impact
- Tips are made of wear-resistant hardened manganese steel
- All areas of the tines that are prone to wear are made of HARDOX

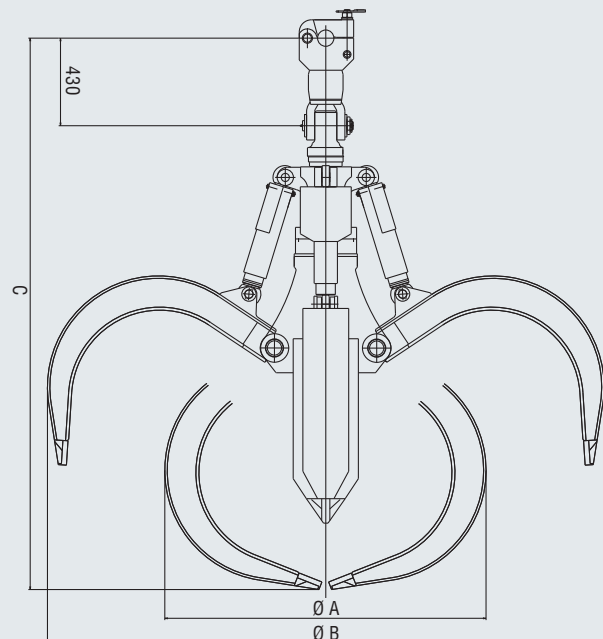
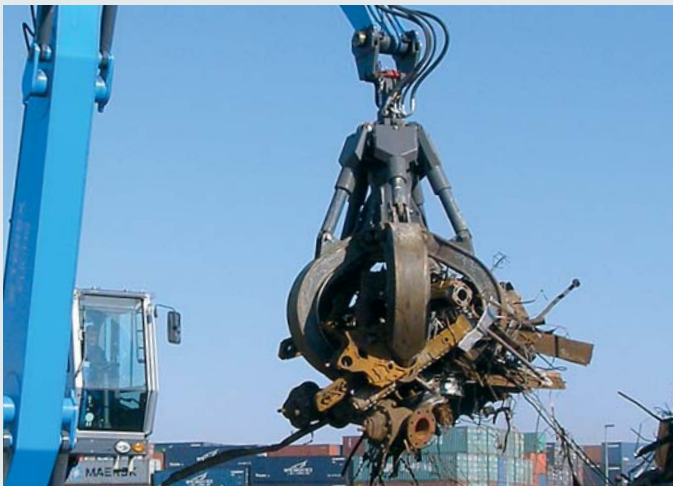


MULTI-TINE GRAPPLE TMG (HALF-CLOSED)

Model	Overall width (closed) A	Opening width B	Height (closed) C	Capacity	Number of tines	Weight with suspension device (half-shell)
TMG 04	1,250 mm	2,030 mm	2,350 mm	0.4 m ³	5	1,600 kg
TMG 06	1,400 mm	2,360 mm	2,500 mm	0.6 m ³	5	1,745 kg
TMG 08	1,550 mm	2,520 mm	2,600 mm	0.8 m ³	5	1,910 kg

SCOPE OF DELIVERY

- Multi-tine grapple
- Rotator
- Head plate with hose protector
- Check valve
- Quick-attach grapple suspension



MULTI-TINE GRAPPLE

TMG (OPEN)

Fuchs 5-tine grapple with a capacity of 0.4 to 0.8 m³ for machines with an operating weight of 16 t to 50 t.

The Fuchs multi-tine grapple was developed specifically for scrap handling. Its sturdy design guarantees effective, continuous deployment. The multi-tine grapple's superior performance is a result of sophisticated kinematics offering a high closing force range and a force flow congruent design. The high-quality materials used ensure durability.

- The grapple rotator is incorporated in the upper part of the grapple, where it is afforded optimal protection
- A high degree of serviceability
- The cylinders' piston rods and the hydraulic lines are protected from external damage and impact
- Tips made of wear-resistant hardened manganese steel
- All areas of the tines that are prone to wear are made of HARDOX

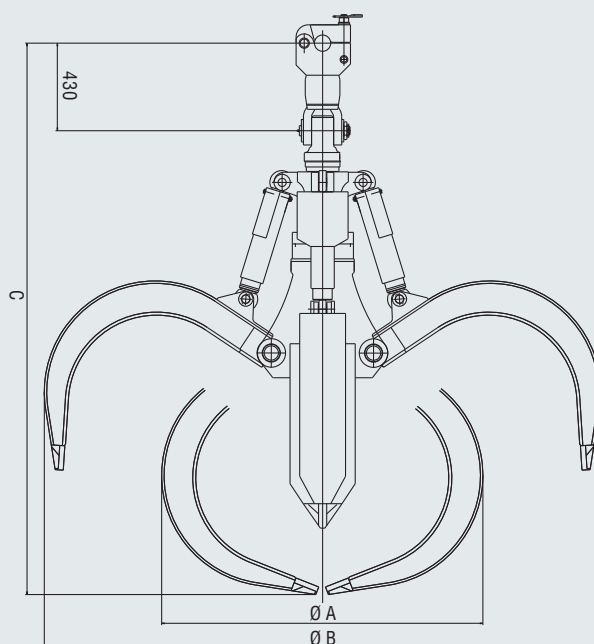


MULTI-TINE GRAPPLE TMG (OPEN)

Model	Overall width (closed) A	Opening width B	Height (closed) C	Capacity	Number of tines	Weight with suspension device (open)
TMG 04	1,250 mm	2,030 mm	2,350 mm	0.4 m ³	5	1,500 kg
TMG 06	1,400 mm	2,360 mm	2,500 mm	0.6 m ³	5	1,620 kg
TMG 08	1,550 mm	2,520 mm	2,600 mm	0.8 m ³	5	1,655 kg

SCOPE OF DELIVERY

- Multi-tine grapple
- Rotator
- Head plate with hose protector
- Check valve
- Quick-attach grapple suspension

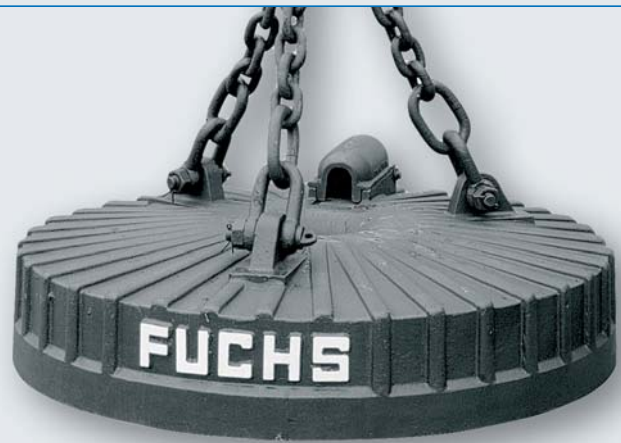


LOAD-LIFTING MAGNETIC PLATES TMP

Fuchs strong, high-performance load-lifting electro-magnetic systems are designed for use in scrap yards and storage facilities

A high handling capacity is guaranteed by the strong magnetic field that extends diametrically across the entire magnetic disc. Control is effected by means of counter-excitation achieved by temporarily opposing poles, ensuring that even the smallest ferrous parts are dropped.

- Magnetic discs made of special dynamo stainless steel castings and non-magnetisable steel base plate
- Hollow core facilitating diffusion of the operating temperature and providing safe drop ball operation



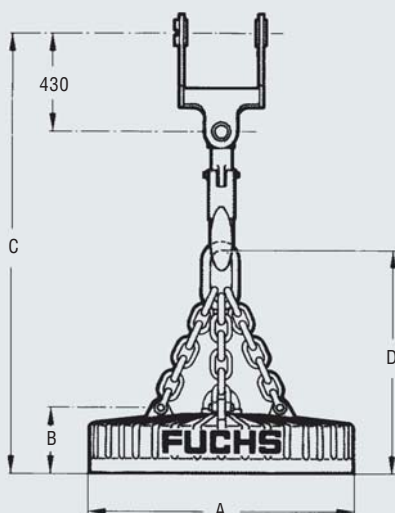
- Outer parts of the magnet made of special alloy casting(s)
- Designed for use with DC generators and AC generators equipped with a rectifier

MAGNETIC DEVICES TMP

Model	Metrics				Operating data			
	Magnet diameter A	Height to upper mount B	Height with chain and suspension mechanism C	Height to chain suspension D	Strength of current	Output	Operating voltage	DC generator (recommended)
TMP 950	950 mm	300 mm	1,815 mm	1,023 mm	16.4 A	3.6 kW	220 V	9 / 11 kW
TMP 1150	1,150 mm	285 mm	1,932 mm	1,140 mm	24.1 A	5.3 kW	220 V	11 kW
TMP 1250	1,250 mm	320 mm	2,297 mm	1,505 mm	31.6 A	6.95 kW	220 V	13 kW
TMP 1500	1500 mm				39,5 A	10,0 kW	220 V	20 kW

Model	Weights	~ Lifting force up to the permissible payload						
		Magnet with chain suspension	Scrap type: single slabs	Scrap type: drop balls	Scrap type: punching slugs	Scrap type: ingots	Scrap type: scrap iron	Core scrap: type 24
TMP 950	800 kg	100 Nm	30 Nm	6.0 Nm	4.6 Nm	4.0 Nm	3.6 Nm	1.9 Nm
TMP 1150	1,104 kg	120 Nm	40 Nm	7.5 Nm	6.4 Nm	5.2 Nm	4.8 Nm	2.4 Nm
TMP 1250	1,493 kg	140 Nm	50 Nm	10.0 Nm	8.1 Nm	6.3 Nm	5.2 Nm	3.0 Nm
TMP 1500		196 Nm	70 Nm		11.0 Nm	9.5 Nm	8.5 Nm	4.2 Nm

Magnet with chain suspension

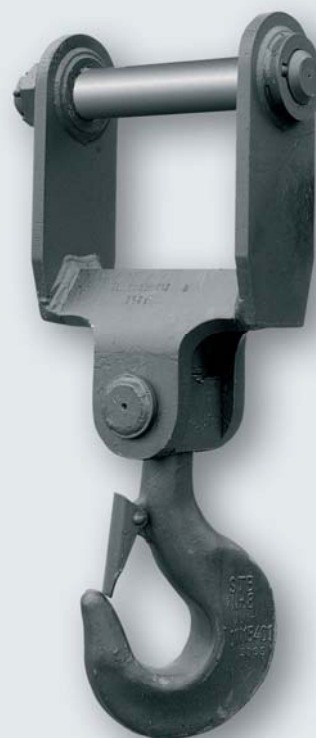


In magnetic suspensions equipped with quick-change system, the total weight increases by 40 kg. The attachment of the various magnets to the machines is dependent upon the size of the generator and is applicable only to Fuchs magnets.

LOAD HOOK TLH

Fuchs high load rating load hook

The Fuchs load hook has a load rating of up to 20 tonnes and is principally deployed in heavy-duty material handling. A wide range of variants ensures congruence with fields of application, simplifying deployment. Fuchs supplies load hooks with (static or revolving) quick-attach mechanisms.



LOAD HOOK TLH WITH QUICK-ATTACH MECHANISM

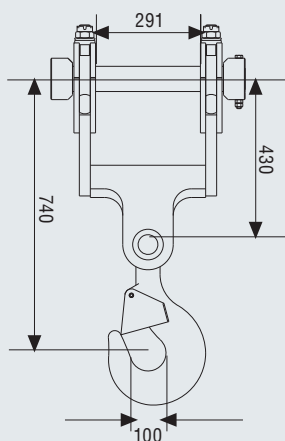
Model	Weight	Fixed or rotating	Rotating	Permissible load rating as per category	
				3 _m	1B _m
TLH 150	150 kg	•		10 t	
TLH 160	160 kg		•		20 t
TLH 180	180 kg		•		20 t

CARRIER REQUIREMENTS

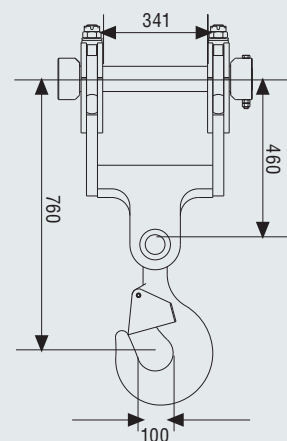
Model	Adapter width	Pin diameter
TLH 150	290 mm	340 mm
TLH 160	290 mm	340 mm
TLH 180	70 mm	80 mm



Load hook TLH 150 / Load hook TLH 160



Load hook TLH 180





GET A HANDLE ON FLEET MANAGEMENT.

Fuchs Telematics System: Recognize and Optimize Potential.

The Fuchs Telematics system: know exactly how and where everything is running.

The system offers a modern solution to help you analyze and optimize the efficiency of your machines. It records and communicates valuable information on the operating status of each individual machine. Where are the machines? How are they working? Is a service check pending? Take advantage of this advanced software and get a handle on your fleet management with the tool that connects for you.

ALL-IN-ONE MACHINE MANAGEMENT. EVERYTHING AT A GLANCE: OPERATING DATA, MACHINE STATUS, GPS DATA

Record, display, and analyse data: high efficiency through precise information

- Available online anywhere and at any time*: comprehensive information on the GPS location, start and stop times, fuel consumption, operating hours, maintenance status, and much more.
- User-friendly interface: displays information clearly for at a glance metrics and diagnostics. Take action before damage occurs: predetermined maintenance intervals are signaled and error messages are displayed in plain text messages.
- The Fuchs Telematics system is optionally available or can be retrofitted into existing machines to help control your operating costs and keep your machines in top shape.

* Internet connection required

